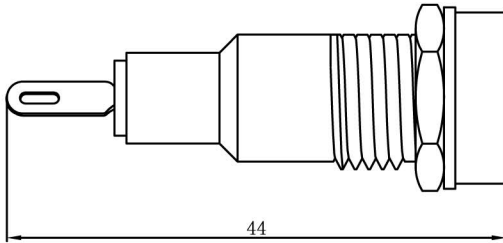


FH10-11



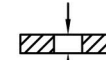
Fuse holder for overload protection
Screw-in mounting

Rating: 10A 250VAC (UL,CUL)

Fuse: $\varnothing 5.0 \times 20 \text{mm}$

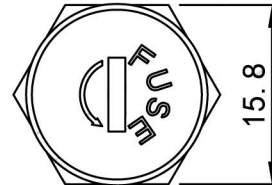
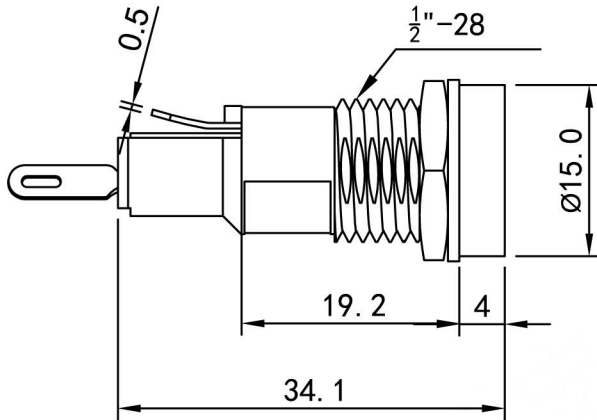
Cap: Bayonet type

Panel thickness: 4.5mm max

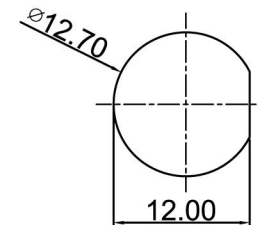


Operating Temperature: $-10^{\circ}\text{C} \sim +70^{\circ}\text{C}$

Welding method: Manual Soldering ($350^{\circ}\text{C} \pm 5^{\circ}\text{C}$, $3\text{s} \pm 0.5\text{s}$)



CUT-OUT



MATERIAL:

Housing: PBT, UL rated 94V0

Bayonet: PBT, UL rated 94V0

Terminal: Brass, silver plated

Nut: Zn Alloy, Ni plated

FH10-11-MZ
01.029.0045